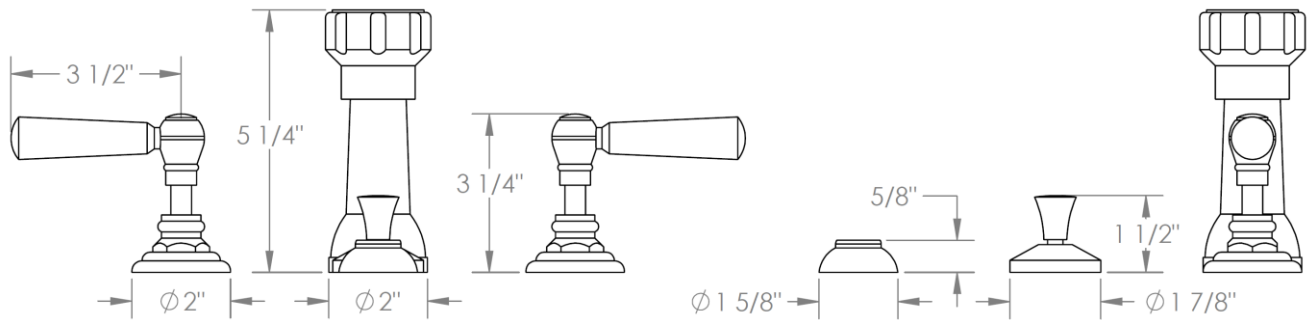


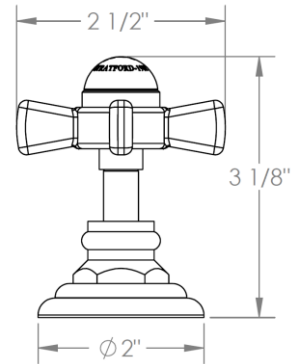
321-4-__
 Deck Mounted 4-Hole Bidet
 Includes MPU7 pop-up drain
 Stratford Collection



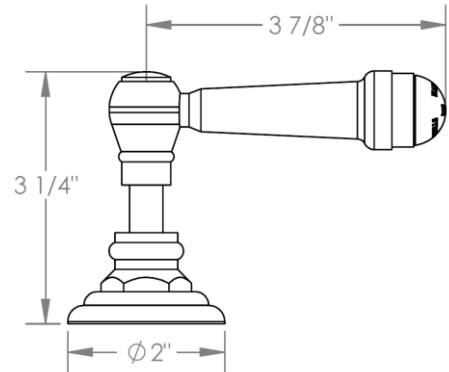
Meets the applicable requirements of ASME A112.18.1-2005/CSA B125.1-05, entitled "Plumbing Supply Fittings"

ADDITIONAL HANDLE OPTIONS

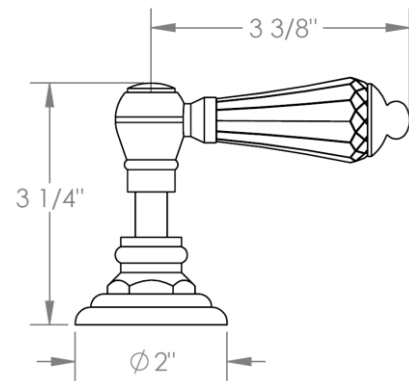
S1 - PRESTON



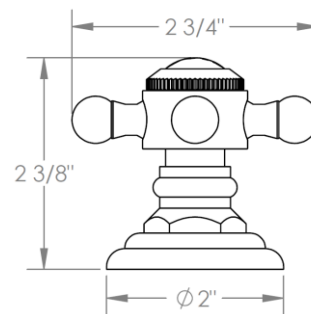
S2 - WALTHAM



SWA - DARIEN



V - WALES



S1A – NOTTINGHAM

