

### DESCRIPTION

- Elongated electric add-on bidet toilet seat

### OPERATION

- Use as a retrofit product to convert regular elongated toilet seats to an electronic cleansing eBidet

### INSTALLATION REQUIREMENTS

- Fits most elongated toilets (see below for specifications)
  - The distance between the 2 mounting holes must be between 4-1/2" and 7" (11.4 - 17.7cm)
  - The distance from the supply valve to the eBidet inlet should be 23-9/16" (59.8cm) or less
  - The distance between the mounting holes and the edge of the toilet bowl must be between 18" - 19-3/4"(45.7 - 50.1 cm)
- Standard power outlet within 47" (119.4cm) of product required: 120V AC on a minimum 10A circuit
- Requires minimum dynamic (flowing) water pressure of 11 psi (0.08MPa) and a maximum static (non-flowing) water pressure of 116 psi (0.8MPa)

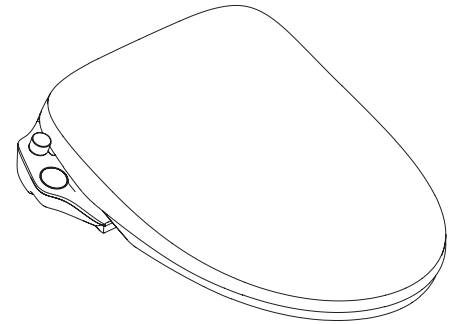
### STANDARDS

- **Third party certified by Intertek:**
- ASME A112.4.2 / CSA B45.16 Personal hygiene devices for water closets, which includes conformity to IAPMO / ANSI Z124.5 plastic toilet seats.
- CSA C22.2 no. 68 Motor-operated appliances (household and commercial)
- CSA C22.2 no. 64 Household cooking and liquid-heating appliances

### WARRANTY

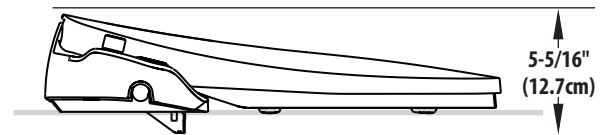
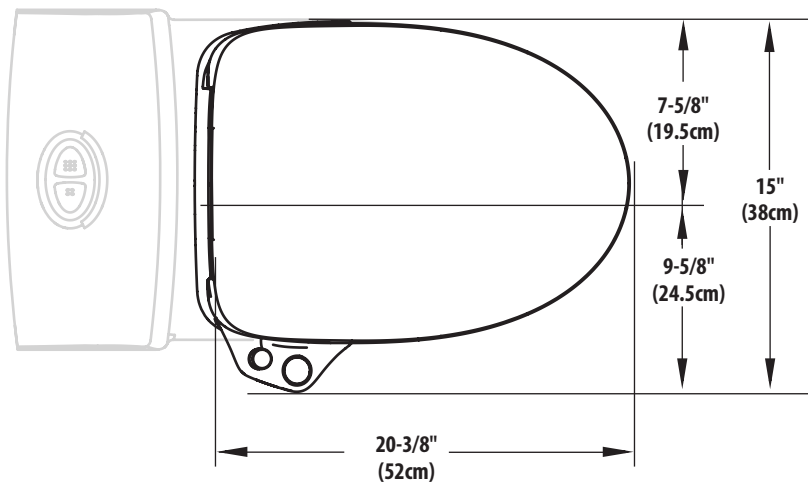
- Limited 3 year warranty against leaks and finish defects to the original consumer purchaser
- 1 year warranty if used in commercial installations

Visit [www.moen.com/support](http://www.moen.com/support) for complete details and limitations





**MOEN®  
eBidet**

**Model: EB1000**



## CRITICAL DIMENSIONS

(DO NOT SCALE)

			
<b>Product Modes/Functions</b>	<b>Product Features</b>	<b>EB1000</b>	<b>EB2000</b>
<b>CLEANSE</b>	ANTERIOR CLEANSE	X	X
	POSTERIOR CLEANSE	X	X
	OSCILLATING CLEANSE	X	X
	PULSATING CLEANSE	X	X
	WATER PRESSURE CONTROL	X	X
	WATER TEMPERATURE CONTROL	X	X
	NOZZLE POSITION ADJUSTMENT	X	X
	INSTANTANEOUS WATER HEATING	X	X
<b>AIR</b>	AIR DRYER		X
	AIR TEMPERATURE CONTROL		X
<b>SEAT</b>	ANTIMICROBIAL SEAT	X	X
	HEATED SEAT TEMPERATURE CONTROL	X	X
	SOFTCLOSE SEAT AND LID	X	X
<b>HYGIENE</b>	SELF-CLEANING NOZZLE	X	X
	ANTIBACTERIAL NOZZLE (SILVER NANOTECH)	X	X
	NOZZLE UV STERILIZATION		X
	REPLACEABLE NOZZLE	X	X
<b>ENERGY SAVING</b>	AUTO ENERGY SAVER	X	X
	ON/OFF BUTTON	X	X
<b>SENSOR</b>	SEAT SENSOR	X	X
	NIGHT LIGHT	X	X
<b>OPERATIONAL CONTROL</b>	ON SEAT CONTROL	X	X
	REMOTE CONTROL		X