

# MONTE CARLO

CEILING FAN COMPANY

## CANOPY MOUNT AND SWITCH HOUSING MOUNT RECEIVER INSTALLATION AND OPERATION INSTRUCTION

### REMOTE CONTROL SETTING (Dimming/Non Dimming)

#### Dimming Non Dimming Setting

The “DIM” selection is the light dimmable selection and it is to be used with incandescent light bulbs including halogen bulbs and dimmable LED luminaries. The “ON/OFF” selection is the light ON/OFF only (non dimming function) and it is to be used with CFL bulbs and other non dimmable luminaries. (Fig. 1 )

**Warning:** The remote controller is set with dimming function at factory, **make sure to select “ON/OFF” (non dimming function) when use this remote controller with CFL and other non dimmable luminaries. Wrong setting may damage the light kit or the remote controller.**

**Caution:** If the remote receiver has been wired with fan, turn power off by wall switch before switch “DIM” and “ON/OFF” selection.

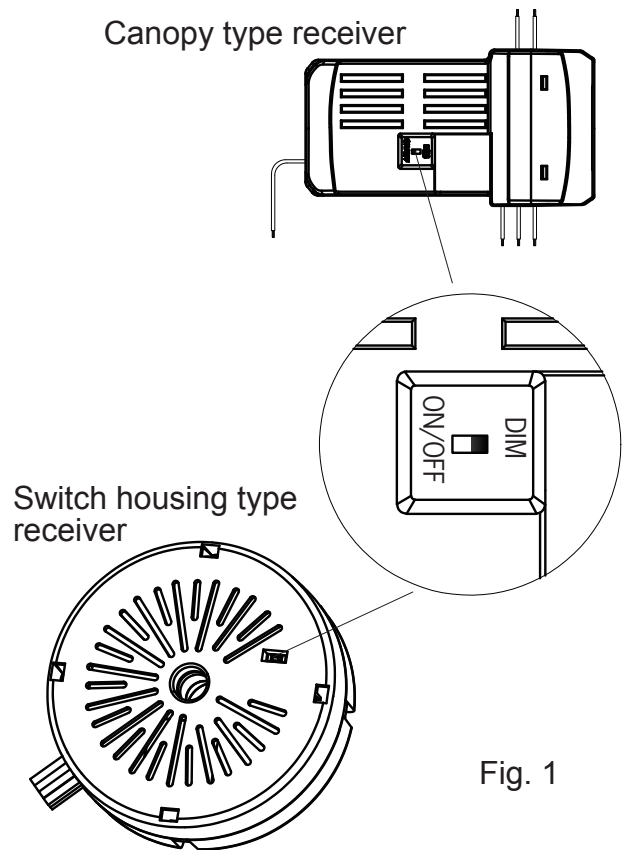


Fig. 1





## Installation and Wiring (Canopy Mount)

**Warning:** Before proceeding, be sure to shut off electricity at main switch or circuit breaker in order to avoid electrical shock.

Make wire connections as shown in wiring diagram using wire connectors provided.

Connect WHITE wire from motor assembly to WHITE wire from remote control receiver marked TO MOTOR N, BLUE wire from motor assembly to BLUE wire from remote control receiver marked FOR LIGHT. Connect BLACK wire from motor assembly to RED (or BLACK) wire from remote control receiver marked TO MOTOR L. Connect BLACK (Live) wire from house to BLACK wire from remote control receiver marked AC IN L. Connect WHITE (Neutral) wire from house to WHITE wire from remote control receiver marked AC IN N. Connect GROUND LEAD (Green ) from fan to GROUND LEAD from house. (Fig. 2)

**Note:** If the fan includes up light, connect ORANGE wire from fan to ORANGE wire from remote control receiver marked FOR UP LIGHT if the remote controller includes up light function.

**Note:** Make sure there is no bare wire is visible at wire connectors.

For downrod mount fans, lay the receiver in the canopy as shown in Fig. 3. For flush mount fans, attach the receiver to mounting plate with wrap supplied as shown in Fig. 3-1.

**Note:** Mounting mean of fan may be different than shown.

**Note:** Electrical rating for fan motor is 1 A max and 300W max for light.

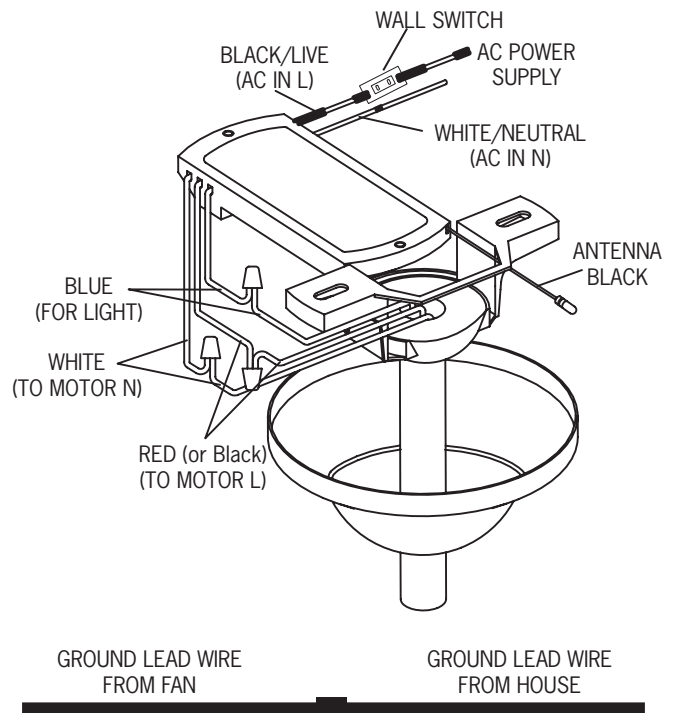


Fig. 2

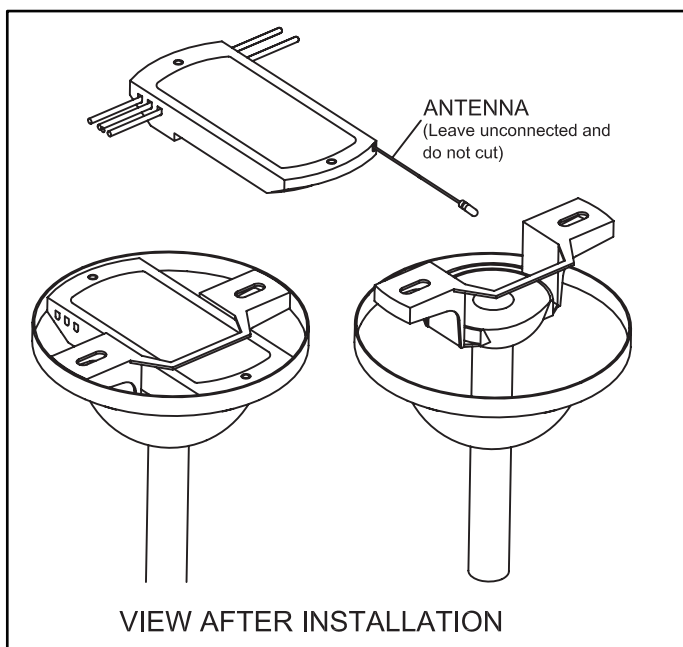


Fig. 3

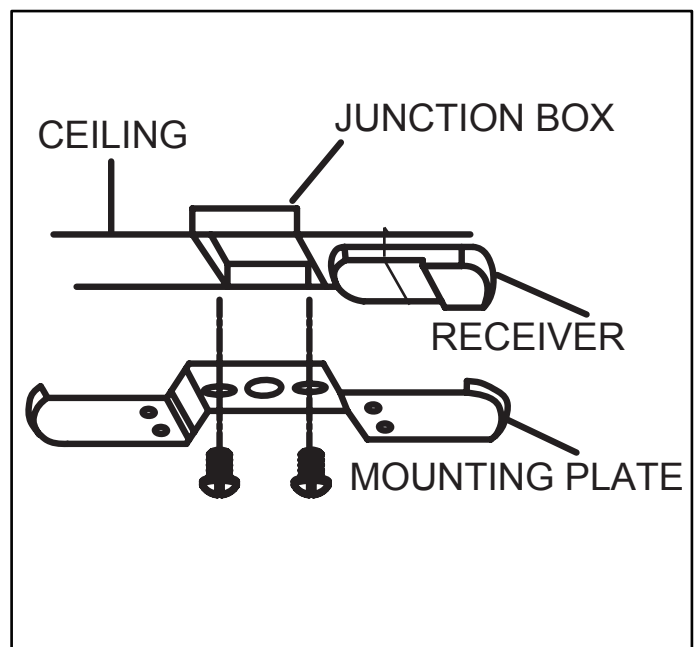


Fig. 3-1



## Installation and Wiring (Switch Housing Mount)

**Warning:** Before proceeding, be sure to shut off electricity at main switch or circuit breaker in order to avoid electrical shock.

Remove switch housing from fan by unscrewing the 4 side mount screws. Keep the screws.

Disconnect plugs in switch housing by pushing down on tab and pulling the plugs apart. (Fig. 4)

Align the central hole of remote receiver with the hole (with plug) in the New switch housing and attach the remote receiver onto switch housing by preadhered double-sided foam tap as shown. (Fig.4-1)

Connect the plug from fan to the plug from receiver (receiver with switch housing), aligning the clasp and make sure plugs connected securely. (Fig. 4-2)

Install the switch housing onto the fan with the 4 side mount screws which were just removed. (Fig.4-2)

**Helpful hint:** Keep wires and plugs away from the capacitor may make it easier for switch housing installation.

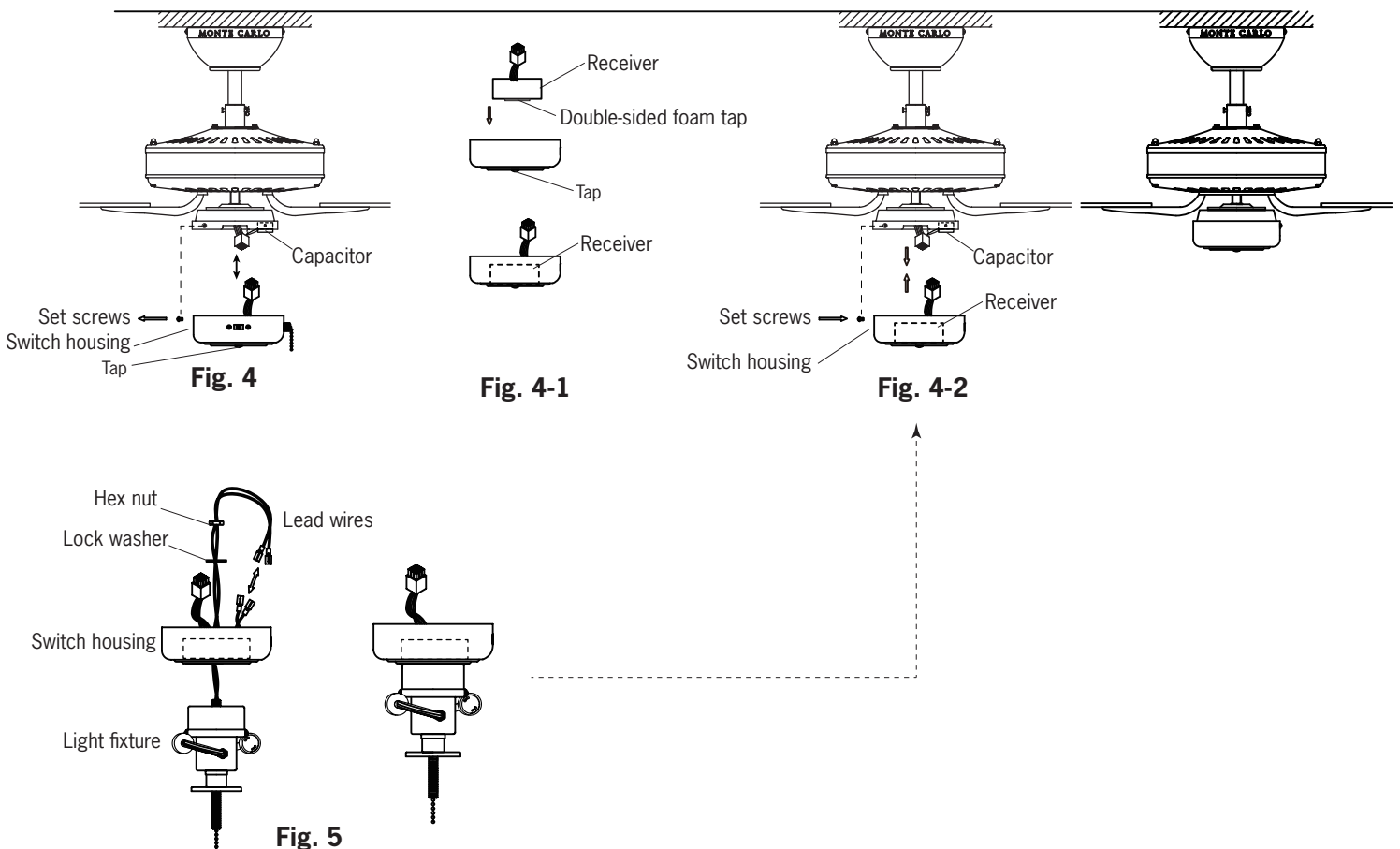
**If install light kit with the fan,** Remove switch housing from fan if it is preassembled on the fan.

Remove tap from new switch housing. Remove hex nut and lock washer from light fixture and then Install the new switch housing onto light fixture by turning clockwise to till tight. Place the lock washer and hex nut over lead wires and tighten the hex nut on the thread rod of light fixture. (Fig.4, Fig.5)

Place receiver over lead wires and thread pipe from light fixture and stick receiver on switch housing by preadhered double-sided foam tap as shown. Connect WHITE wire from remote receiver to WHITE wire from light fixture. Connect BLUE wire from Remote receiver to BLACK (or BLUE) wire from light fixture. Be sure plugs connections snap together completely. (Fig. 5)

**Note:** Make sure the light kit is set at ON position by pull chain switch originally supplied with your light kit.

**Note:** Electrical rating for fan motor is 1.5 A max and 300 W max for light.





### Item number VS Function

Model\Function	Fan Speed	Fan off	Reverse	Light	Up light	SKU #
MCRC1 series	v	v		v		MCRC1, MCRC1AL
MCRC1R series	v	v	v	v		MCRC1RRZW/RB/BS/PN/BP, MCRC1RALRZW/RB/BS/PN/BP
MCRC2R series	v	v	v	v	v	MCRC2RRZW/RB/BS/PN/BP, MCRC2RALRZW/RB/BS/PN/BP
MCRC3	v	v		v		MCRC3
MCRC3R series	v	v	v	v		MCRC3RRZW/RB/BS/PN/BP
MCRC4R series	v	v	v	v	v	MCRC4RRZW/RB/BS/PN/BP
MCRC1T series	v	v		v		MCRC1T, MCRC1TAL
MCRC1RT series	v	v	v	v		MCRC1RT, MCRC1RTAL
MCRC2RT series	v	v	v	v	v	MCRC2RT, MCRC2RTAL
MCRC3W	v	v		v		MCRC3W
MCRC3RW	v	v	v	v		MCRC3RW
MCRC4RW	v	v	v	v	v	MCRC4RW
MCRC-RC1	v	v		v		MCRC-RC1
MCRC-RC1R	v	v	v	v		MCRC-RC1R
MCRC-RC2R	v	v	v	v	v	MCRC-RC2R

#### Tips for end users

1. If your fan is operated automatically after installation and power on, it is because your fan is still memorize the previous setting at factory. Make learn function setting and your fan will be ready for use.
2. If fan or light isn't working, reset power (turn the power off for at least 5 seconds and then turn the power back) and redo the learn function setting after 5 seconds at least of restoring power to the fan.
3. It is not available to separately operate the remote setting for more than one fan in the same room (in the area where remote signal can reach to) if they share the same power supply. Separate power supplies (like as using individual wall switches for each fan) is required if you want to separately control more than one fan in same room.
4. There might be other remote transmitters got the same code combination as the transmitter that you are using, you may remove the code setting of the other transmitters by turn the power off and turn it back and then push and hold the "OFF" button of the transmitter which you are using for at least 10 seconds. You must press the "OFF" button within 60 seconds of restoring power to the fan.

Nov.2013