

# VTW565ASVWB

GE® Commercial 3.8 cu. ft. Capacity Washer  
with Built-In App-Based Payment System, Coin Compatible\*

## DIMENSIONS AND INSTALLATION INFORMATION (IN INCHES)

**CIRCUIT REQUIREMENTS:** An individual, properly-grounded branch circuit, with a three-prong grounding-type receptacle, protected by a 15 or 20 amp circuit breaker or a time-delay fuse, is required.

### ELECTRICAL RATING:

120V, 60Hz

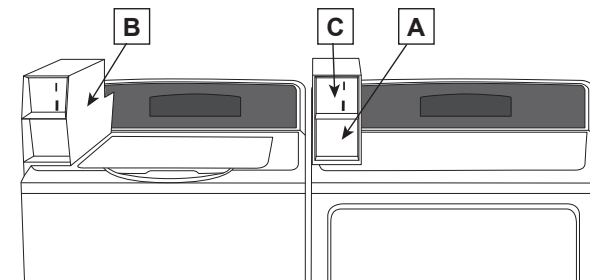
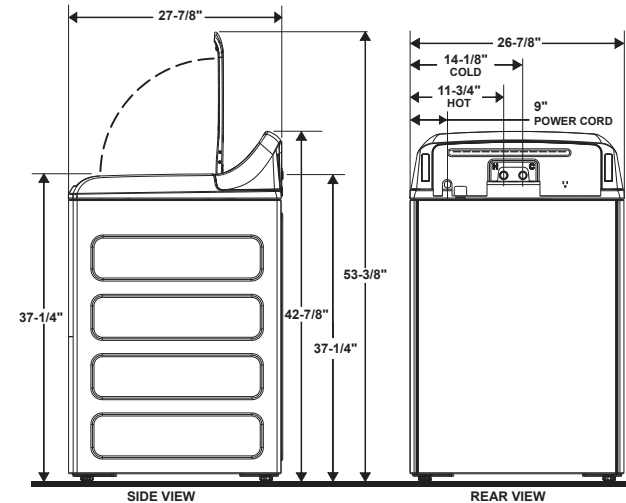
### WASHER NOTE:

Washer wall outlet must be located within 36" of service cord entry.  
Wall outlet must not be located behind dryer.

### INSTALLATION INFORMATION:

Before installing, consult installation instructions packed with your washer. A reliable WiFi network is required.

\*Please visit [GEAppliances.com/commerciallaundry](http://GEAppliances.com/commerciallaundry) to begin QR code payment account set up prior to unit delivery



A	VKAUNICBT	GE COMMERCIAL UNIVERSAL COIN BOX
B	VTA56CHKT	GE COMMERCIAL COIN HOUSING KIT
C	VTA56SCDT	GE COMMERCIAL SINGLE COIN DROP

\*Coin Accessories Sold Separately



For answers to your GE Commercial Laundry product questions,  
visit our website at [www.geappliances.com/commerciallaundry](http://www.geappliances.com/commerciallaundry).



Listed by  
Underwriters  
Laboratories

Specification Revised 9/22

# VTW565ASVWB

## GE® Commercial 3.8 cu. ft. Capacity Washer with Built-In App-Based Payment System, Coin Compatible\*

### FEATURES AND BENEFITS

**Built-In, Coinless Payment System** - Eliminate the hassle of coins with the easiest, smartest, built-in QR code laundry POS system.

**Launderday™ User App** - Enhance the commercial laundry user experience with the Launderday™ User App. Offer customers access to contactless payment and cycle notifications for a modern laundry experience.

**SmartHQ™ Management** - SmartHQ™ Management Owner's Dashboard offers a centralized space for managing site revenues, machine status, pricing activities and refund requests.

**Microban® Protection** - Antimicrobial technology is built in to critical areas of this ultrafresh commercial laundry, including the control panel and the lint filter of the dryer.

**Payment Flexibility** - This commercial laundry with payment flexibility allows for optional acceptance of coin payment, built-in QR payment or both.

**Commercial Grade Components** - Enjoy lasting performance from built-to-last commercial laundry parts, including a heavy-duty agitator, fully front serviceable galvanized steel cabinet, cap-touch controls, 1/2 horsepower motor, stainless steel wash basket and metal transmission.

**Extra-Large Washer Capacity** - Maximize revenue with a 3.8 cu. ft. washer that delivers the wash experience that tenants and guests expect.

**800RPM Spin Speed** - A higher spin speed maximizes water extraction.

**5 Year Warranty** - Enjoy peace of mind thanks to this commercial laundry with 5-year limited parts warranty.

**Parts Promise** - The commercial laundry parts promise ensures that the most common components are on hand and available for shipment within one business day.

**Model VTW565ASVWB** - White

