

F51V1-1800 SPECIFICATIONS

51 collection series 1800 wall-mount vanity

FEATURES:

- Wall-mounted vanity with two deep drawers + slim drawer inserts
- Slim inner drawers designed for plumbing clearance
- Solid rust-free painted powder frame construction and drawer runners
- Hettich push/pull drawer opening system
- One continuous bracket along the backside for ease of installation: allows for easy retro-fitting/hitting studs where backing or additional support is not available
- Wall mount design opens space and facilitates easy cleaning
- Made of IDROLEB ECOLOGICAL PANEL with the lowest formaldehyde emissions in the world
- IDROLEB also ensures defence against humidity
- Italian-crafted for superior quality
- Drawer organization available (sold separately)

SPECIFICATIONS:

Dimensions: (WHD) 71" x 19" x 20¼"
(1800mm x 480mm x 515mm)*

Weight: 158.7lbs (72kg)*

Materials: Hard Surface Technology (HST)
Hard Surface Technology (HST) finishes offer extraordinary technical performance in terms of exceptional durability, extremely high resistance to scratches and chemicals, in addition to a beautiful aesthetic and tactile wood grain effect

Lacquer

Warranty: Five Year Limited Warranty (Residential)
One Year Warranty (Commercial)

Shipping Weight: 187.3lbs (85kg)*

Shipping Dimensions (WHD) 39¾" x 23¼" x 24¼" (x2)
(1010mm x 590mm x 615mm) (x2)

STOCKED

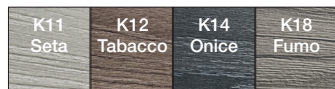
COLOR/FINISH:

HST Lacquer



TIER A:

HST



Lacquer



VANITY TOP OPTIONS:

- SA1800/SA1810 blu-stone™ double vanity top basin

DRAWER ORGANIZATION OPTIONS:

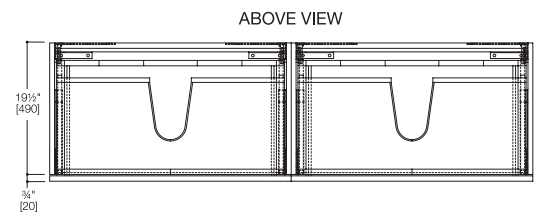
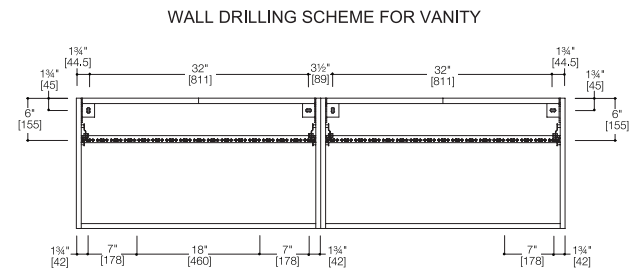
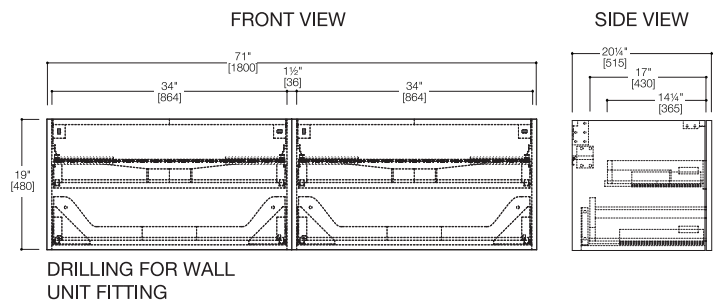
- F01AC-01 2 Storage Compartments
- F01AC-02 2 Cosmetic Holders
- F01AC-03 2 Storage Bin Sets
- F01AC-04 1 Tissue Box

INSTALLATION NOTES:

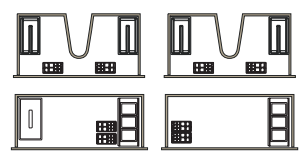
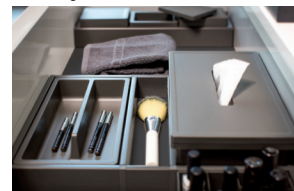
Install this product according to the installation guide. Our products must be installed by professionals only and according to our installation guide as well as federal, provincial / state and local building codes and regulations.



*Approximate measurements for comparison only.
Note: These dimensions and specifications are subject to change without notice.



Drawer organization included with all 45° vanities



slim inner drawers + bottom drawers