

# F45M1-1200 SPECIFICATIONS

## 45° collection series 1200 mirror with LED lighting

### FEATURES:

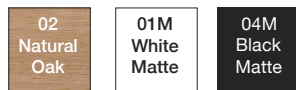
- Framed mirror with soft LED perimeter lighting
- Discreet touch sensor switch on mirror face
- 110V strip LED 9.6W/MT RV4200K
- Unique 45 degree join on all four angles
- Frosted edging around mirror perimeter
- Integral channel on the back for ease of installation: allows installer to adjust brackets to hit studs accordingly
- Made of IDROLEB ECOLOGICAL PANEL with the lowest formaldehyde emissions in the world
- IDROLEB also ensures defence against humidity
- Italian-crafted for superior quality

### SPECIFICATIONS:

Dimensions:	(WHD) 47¼" x 27½" x 1½" (1200mm x 700mm x 40mm)*
Weight:	33lbs (15kg)*
Materials:	Natural Oak: MDF with veneered oak finish White/Black Lacquer: MDF
Warranty:	Five Year Limited Warranty (Residential) One Year Warranty (Commercial)
Shipping Weight:	38.5lbs (17.5kg)*
Shipping Dimensions:	(WHD) 49¼" x 29½" x 2¼" (1250mm x 750mm x 60mm)*

### STOCKED COLOR/FINISH:

Wood Lacquer

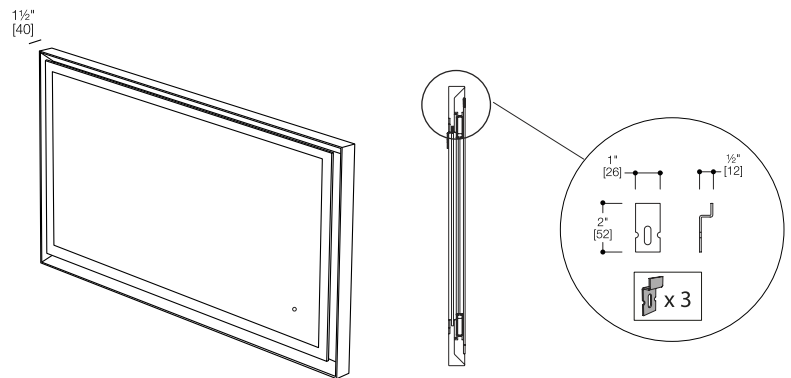
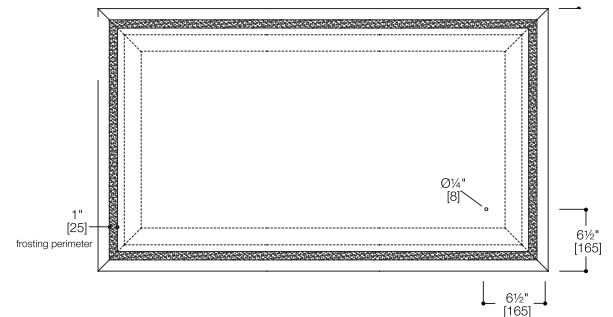
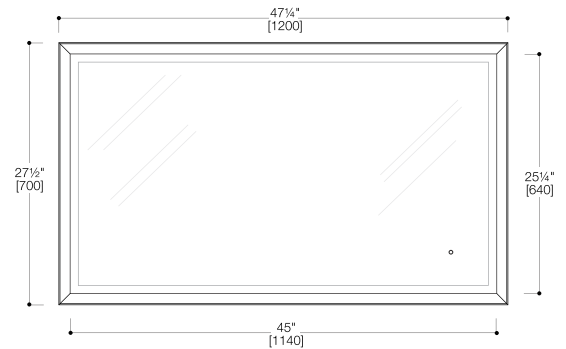


### INSTALLATION NOTES:

Install this product according to the installation guide. Our products must be installed by professionals only and according to our installation guide as well as federal, provincial / state and local building codes and regulations.

### CODES:

- Meets or exceeds UL/ULC, and CSA requirements
- CSA 22.2
- UL/ULC 962
- UL/ULC 8750



\*Approximate measurements for comparison only.  
Note: These dimensions and specifications are subject to change without notice.